

► PRR770

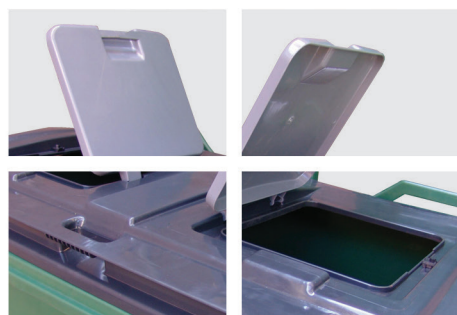
Four-wheeled Plastic Waste Bin



Specifications:

Material	HDPE Inj. Grade + UV Stabilizer
External Dimension	1370 x 830 x 1360 mm
Wheels/Casters	4 guide casters
Capacity	770 Ltr
Payload	352 Kg
Bin Weight	46 Kg (±3%)
40' HC Cntr/88 m ³ TRK Capacity	120 / 150 Pcs

More details:

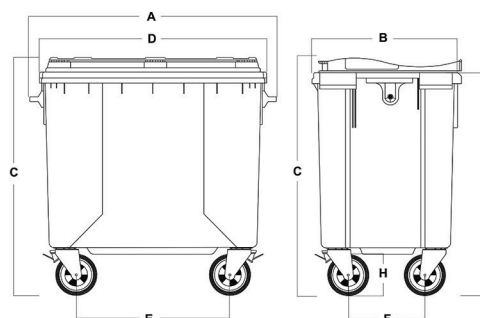


Properties:

- Container corresponds to: EN 840 1-6
- Flat lid
- Casters:
 - 4 guide casters
 - 2 Casters with brake
 - 2 Casters without brake
- Receiver: comb lift, trunnions
- Recyclable waste for public places
- Easy handling to carry around
- Smooth lid for opening & closing

Customization:

- Any standard RAL color
- Silk screen logo on body or lid
- Labeling on lid or body
- Foot Pedal mechanism
- Lid in lid
- Traffic stickers
- Numbering sequence



A: 1370 mm
B: 830 mm
C: 1360 mm

D: 1270 mm
E: 750 mm
F: 535 mm

G: 1260 mm
H: 200 mm

