

# ▶ PRD80

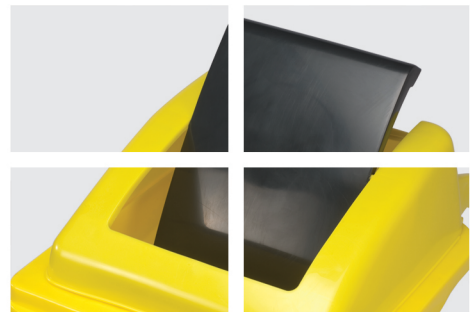
## Two-wheeled Plastic Waste Bin



### Specifications:

Material	HDPE Inj. Grade + UV Stabilizer
External Dimension	470 x 540 x 910 mm
Wheels/Casters	2 Rubber-tired Wheels
Capacity	80 Ltr
Payload	35 Kg
Bin Weight	8 Kg (±3%)
40' HC Cntr/88 m <sup>3</sup> TRK Capacity	1300 / 1650 Pcs

### More details:

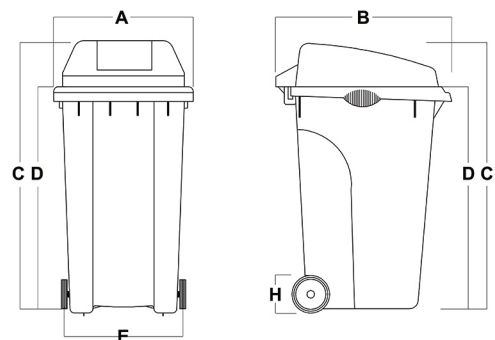


### Properties:

- Dumper lid
- Travelling gear: 2-wheel Ø 200mm
- Axle: Semi-hollow axle from steel
- Receiver: comb lift
- Special place for micro chip
- Recyclable waste for household/public places
- Easy handling to carry around
- Smooth lid for opening & closing

### Customization:

- Any standard RAL color
- Silk screen logo on body or lid
- Labeling on lid or body



A: 470 mm  
B: 540 mm  
C: 910 mm

D: 765 mm  
E: 420 mm  
H: 200 mm

