

# ► BPL1210

## Plastic Lid of Pallet Box

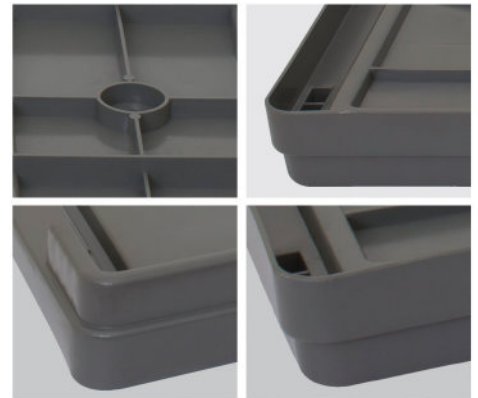


### Specifications:

Material	Virgin HDPE Inj. grade + UV Stabilizer
External Dimension	1210 x 1010 x 80 mm (±5 mm)
Internal Dimension	1200 x 1000 x 40 mm (±5 mm)
Net Weight	7.5 Kg (±3%)
Interior Volume	x
Static Load	x
Dynamic Load	x
Racking Load	x
40' HC Cntr/88 m <sup>3</sup> TRK Capacity	1323 / 1638 Pcs

The load capacities are based on evenly distributed loads.

### More details:

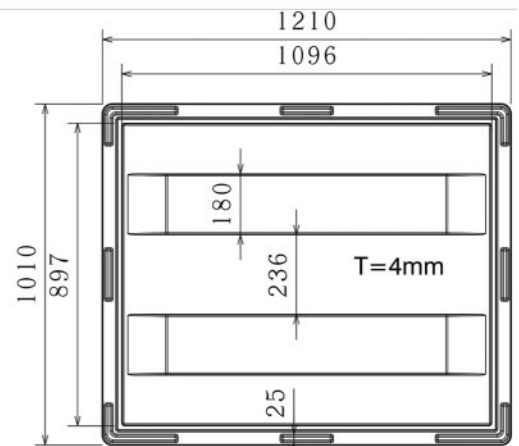
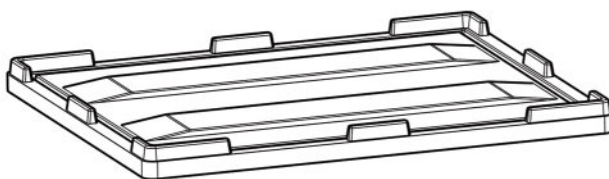


### Properties:

- Solid
- 40 mm Lips
- Round corners
- One shot
- Stackable

### Customization:

- Any standard RAL color
- Embossing logo



All dimensions may vary ±5 mm due to the production process & raw material characteristics.

