

► BIG BOX1208

Plastic Sleeve Pallet Box

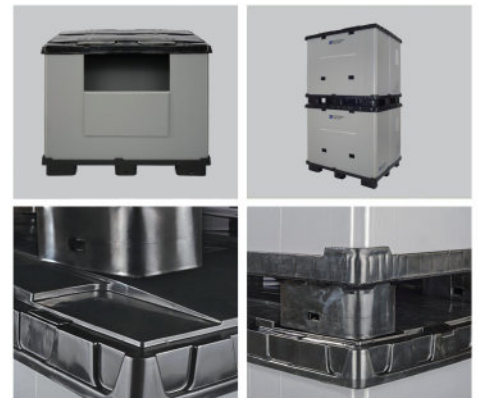


Specifications:

Material	Virgin HDPE Inj. grade + UV Stabilizer
External Dimension	1200 x 1000 x 1035 mm (±5 mm)
Internal Dimension	1130 x 920 x 870 mm (±5 mm)
Net Weight	32 Kg (±3%)
Interior Volume	900 Ltr
Static/Stacking Load	500 Kg
Dynamic Load	250 Kg
Racking Load	250 Kg
40' HC Cntr/88 m ³ TRK Capacity	280 / 338 Pcs

The load capacities are based on evenly distributed loads.

More details:

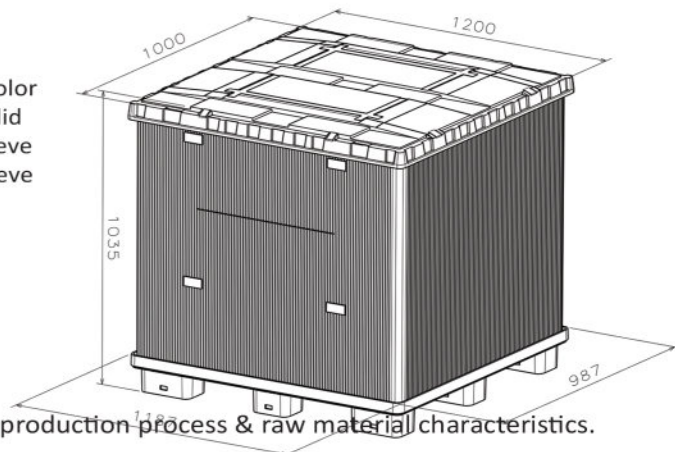


Properties:

- 40 mm gutter
- Unloading flap
- Velcro
- 9 Legs
- 4-way entry
- Forklift / Hand-jack compatible
- One shot
- Stackable

Customization:

- Any standard RAL color
- Embossing logo on lid
- Printing logo on sleeve
- Central opening sleeve



All dimensions may vary ±5 mm due to the production process & raw material characteristics.

