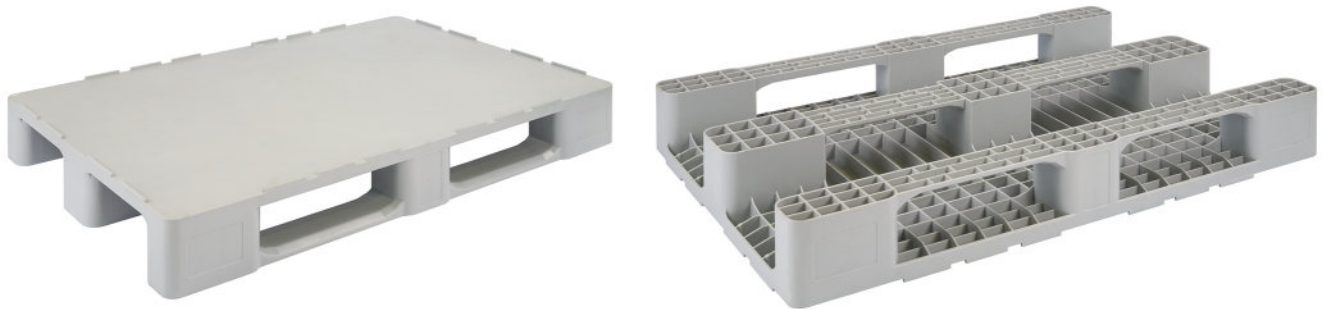


# ▶ HPS1208

## Semi-Hygienic Plastic Pallet



### Specifications:

Material	Virgin HDPE Inj. grade + UV Stabilizer
Dimension	1200 x 800 x 155 mm (±5 mm)
Static Load	5000 Kg
Dynamic Load	1250 Kg
Racking Load	500 Kg
Pallet Weight	14 Kg (±3%)
40' HC Cntr/88 m <sup>3</sup> TRK Capacity	550 / 682 Pcs

### More details:



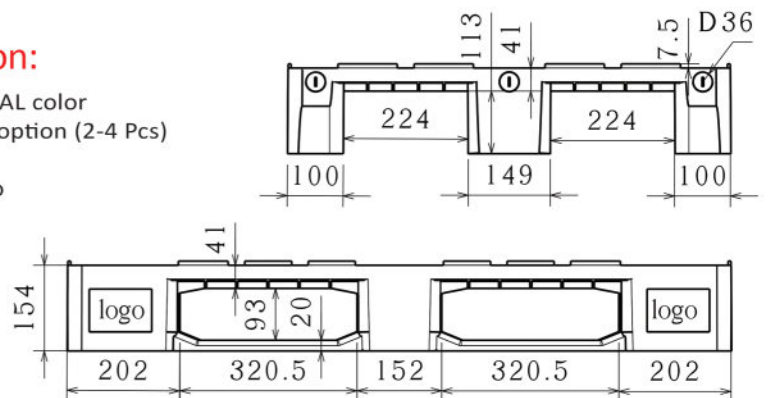
The load capacities are based on evenly distributed loads.

### Properties:

- Single surface
- Closed solid top deck
- 7 mm Safety rims
- 3 skid runners
- 4-way entry
- Forklift / Hand-jack compatible
- One shot
- Stackable

### Customization:

- Any standard RAL color
- Anti-slip strips option (2-4 Pcs)
- Safety rims
- Embossing logo
- Printing logo



All dimensions may vary ±5 mm due to the production process & raw material characteristics.

