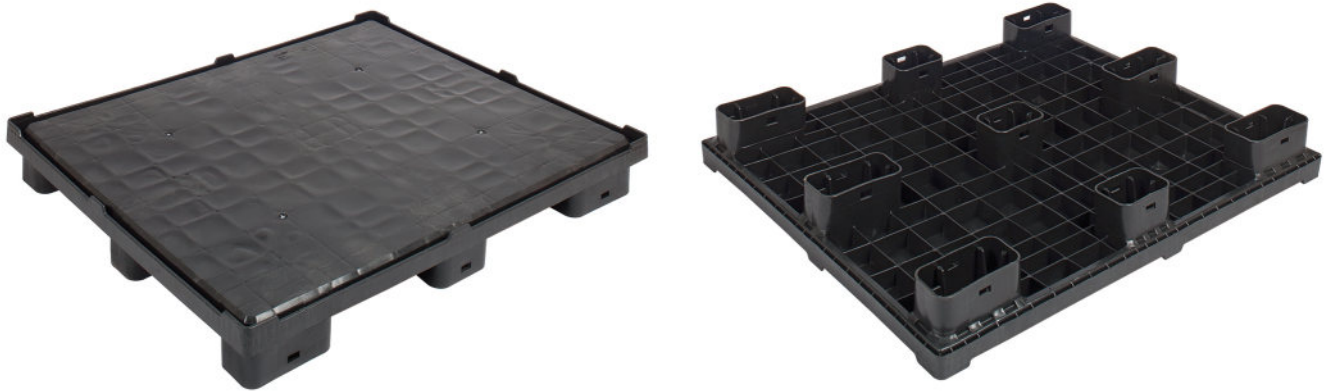


▶ HPS1210

Semi-Hygienic Plastic Pallet

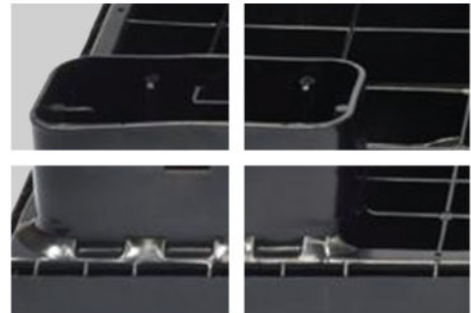


Specifications:

Material	Virgin HDPE Inj. grade + UV Stabilizer
Dimension	1200 x 1000 x 140 mm (±5 mm)
Static Load	5000 Kg
Dynamic Load	1250 Kg
Racking Load	X
Pallet Weight	13.5 Kg (±3%)
40' HC Cntr/88 m ³ TRK Capacity	550 / 650 Pcs

The load capacities are based on evenly distributed loads.

More details:

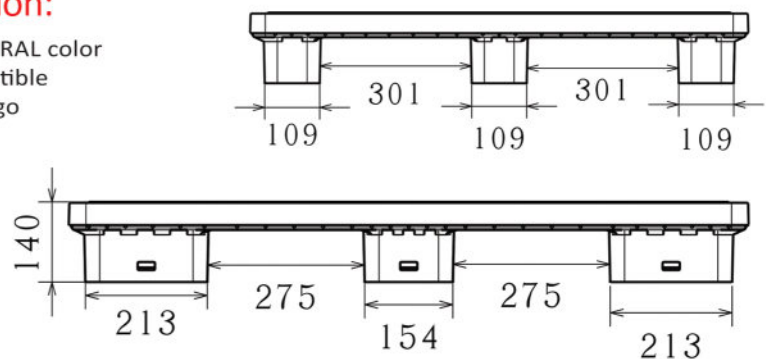


Properties:

- Single surface
- Semi-closed top deck
- 40 mm guter
- 9 legs
- 4-way entry
- Forklift / Hand-jack compatible
- One shot
- Stackable

Customization:

- Any standard RAL color
- Sleeve compatible
- Embossing logo



All dimensions may vary ±5 mm due to the production process & raw material characteristics.

