

► IPM1208/CR/4P

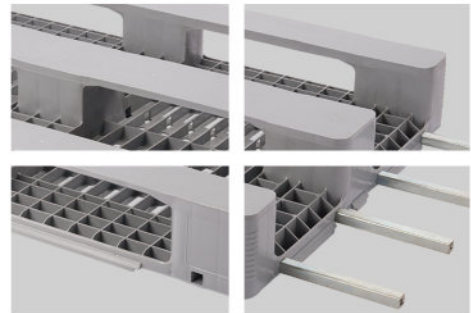
Industrial Plastic Pallet (Reinforced)



Specifications:

Material	Virgin HDPE Inj. grade + UV Stabilizer
Dimension	1200 x 800 x 145 mm (±5 mm)
Static Load	5000 Kg
Dynamic Load	1250 Kg
Racking Load	1000 Kg
Pallet Weight	18.1 Kg (±3%)
40' HC Cntr/88 m ³ TRK Capacity	550 / 700 Pcs

More details:



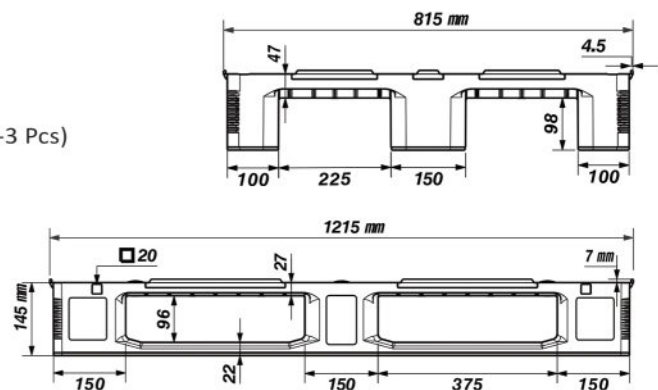
The load capacities are based on evenly distributed loads.

Properties:

- Single surface
- Ventilated decks
- 7 mm external safety rims
- Anti-slip rubber plugs
- 3 closed solid skid runners
- 4 reinforcement profiles
- 4-way entry
- Forklift / Hand-jack compatible
- One shot
- Stackable

Customization:

- Any standard RAL color
- Anti-slip strips option (2-3 Pcs)
- Safety rims
- Embossing logo
- Printing logo



All dimensions may vary ±5 mm due to the production process & raw material characteristics.

