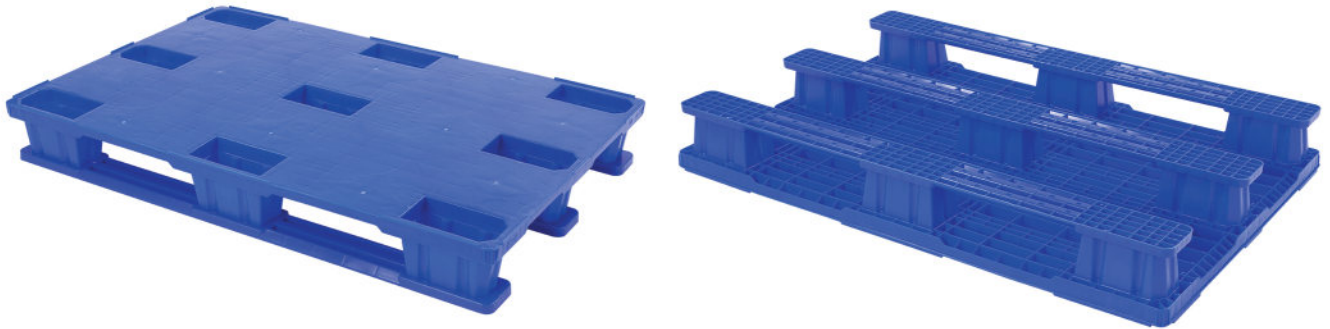


► LNP1208/S3R

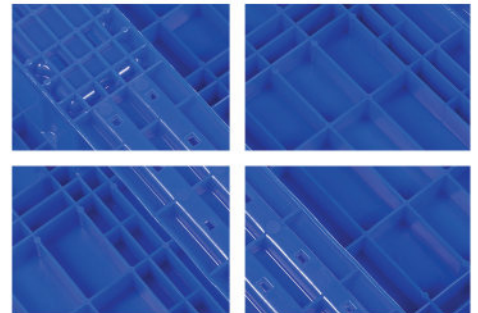
Industrial Plastic Pallet



Specifications:

Material	Virgin HDPE Inj. grade + UV Stabilizer
Dimension	1200 x 800 x 145 mm (±5 mm)
Static Load	2500 Kg
Dynamic Load	1250 Kg
Racking Load	400 Kg
Pallet Weight	9 Kg (±3%)
40' HC Cntr/88 m ³ TRK Capacity	1410 / 1820 Pcs

More details:



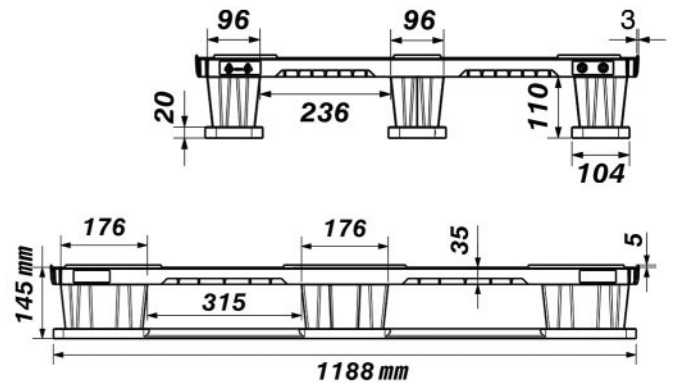
The load capacities are based on evenly distributed loads.

Properties:

- Single surface
- Closed top deck
- 3 skid runners (Snap-On)
- 5 mm safety rims
- 4-way entry
- Forklift / Hand-jack compatible
- Nestable (CKD)
- One Shot
- Stackable

Customization:

- Any standard RAL color
- Anti-slip strips option
- Safety rims
- Embossing logo
- Printing logo



All dimensions may vary ±5 mm due to the production process & raw material characteristics.

