

▶ LNP1210/3R

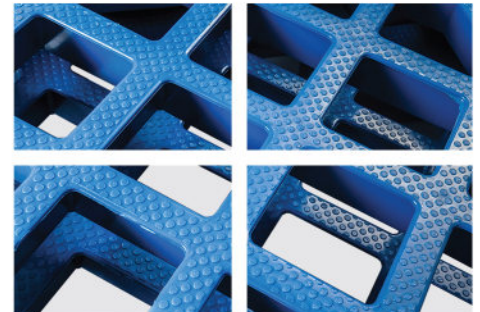
Industrial Plastic Pallet



Specifications:

Material	Virgin HDPE Inj. grade + UV Stabilizer
Dimension	1200 x 1000 x 155 mm (±5 mm)
Static Load	2000 Kg
Dynamic Load	1000 Kg
Racking Load	300 Kg
Pallet Weight	9 Kg (±3%)
40' HC Cntr/88 m ³ TRK Capacity	950 (CKD) / 1200 (CKD) Pcs

More details:



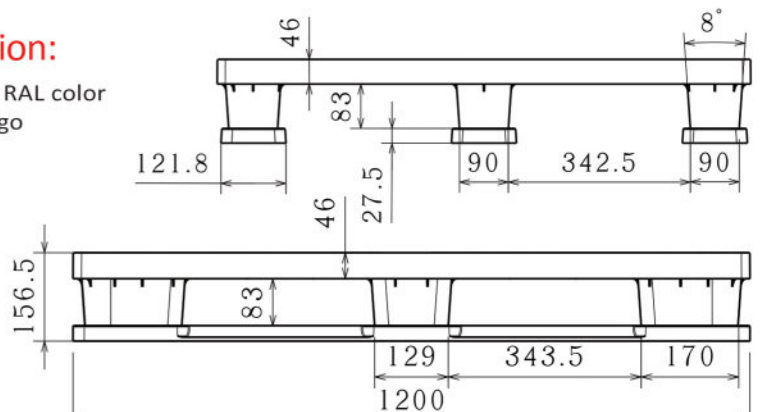
The load capacities are based on evenly distributed loads.

Properties:

- Single surface
- Ventilated decks
- 3 skid runners (snap-on)
- 4-way entry
- Forklift / Hand-jack compatible
- Nestable (CKD)
- One shot
- Stackable

Customization:

- Any standard RAL color
- Embossing logo
- Printing logo



All dimensions may vary ±5 mm due to the production process & raw material characteristics.

